

# SMART BATHTUB WATERFALL SPOUT

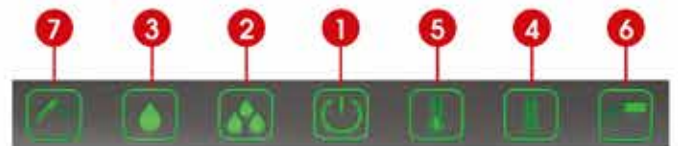
FINISHING: **CHROME PLATED** | ITEM CODE **5D114**



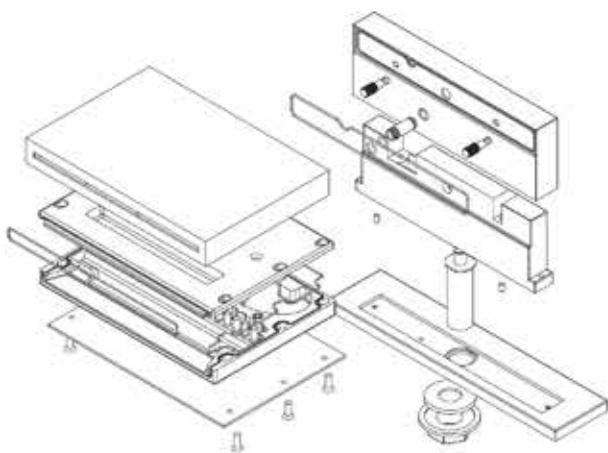
## FUNCTIONS REMOTE CONTROL



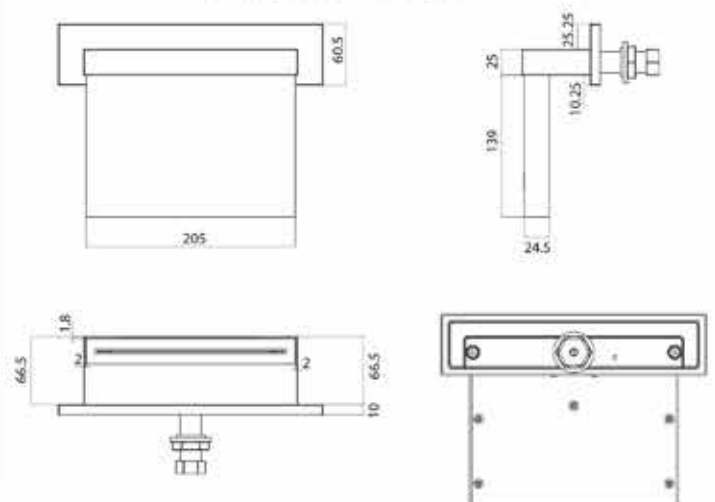
## FUNCTIONS KEYBOARD CONTROL



## COMPONENTS DETAILS



## DIMENSIONS










### TECHNICAL DETAILS ABOUT THE DELIVERY WATERFALL SPOUT

2 joint fittings of valves box inlet about hot and cold water	1/2"	
2 joint fittings valves box outlet for Spout/Shower	1/2"	
Water blade width	182 mm	
Water blade thickness	1.5 mm	
Starting values set by the manufacturer on switching on	38°C	
	10 lt/min	
Water flow rate	<b>Bar</b>	<b>lt/min</b>
	1.0	14.2
	1.5	18.5
	2.0	22.9
	2.5	25.3
	3.0	27.2
Noise test	<b>Bar</b>	<b>dB</b>
	3.0	24
	5.0	27.9

### TECHNICAL DETAILS ABOUT THE VALVES BOX

2 inlet fittings for hot and cold water with nonreturn valves	1/2"
Nonreturn valves in the hot and cold water inlet	2
Bottom closure	BRASS
Low voltage valves Box	input 12 V output 5 V
Box with independent power supply of 11.1 V with rechargeable batteries with an operating range of 10 hours and 500 recharge cycles	
6V valves engine no-Load current $\leq 190$ mA Locked-rotor current $\leq 690$ mA	
Adapter: input: 100-240 V 50/60 Hz output: 12 V 200mA	

### TECHNOLOGY

Suitable to be used with Led devices for cromotherapy	
No contact between the water and the zamak parts	
No vibration during the water delivery	
Reduced noise	
Water blade design: patented cartridge	
Control keyboard: Touch Screen	
Wi-Fi electronic keyboard, 2.4G transmitter	
Electronic control keyboard which is feeded by a transformer: input 5V operating current max 50 MA	
backlit control keyboard with microled lights	
All the devices are waterproof	
Remote control for optional remote control	
Remote control: input: 5V 1000-2000 mA, It is provided with adapter, battery charger, batteries with 500 recharge cycles	

### RAW MATERIALS

Outer shell	ZAMAK
Zamak plate	ZAMAK
Closing bodywork	BRASS
Cartridge	PLA/ABS
O-rings	RUBBER
Lacking screws	STEEL
Valves box	ABS
Total weight kg	2.62

## GENERAL OVERVIEW

High performance water flow

Stable and safe assembling system

### Suitable to be installed on:

steel, chrome plated and brass plates, drywall, cement, ceramic, corian, etc

### The product is supplied with:

No. 1 fitting for the water inlet  
No. 1 gasket and clamping nut  
No. 1 Valves box working as thermostatic/switch  
Nr. 1 electric power supply

## KEY FUNCTIONS

1	on/off
2	Flow increase
3	Flow decrease
4	Temperature increase
5	Temperature decrease
6	Switch to spout
7	Switch to shower

## OPERATING INSTRUCTIONS

- 1 - Key 1 Switch on - Switch off** It switches the spout on and off, on switching on the spout delivers about 10 liters of water per minute at a standard temperature of about 38° C, with the lighting of the water flow in green. To switch the spout off proceed as follows: in case that the keyboard were lit and that the spout is delivering water, press the key 1 **Switch on-Switch off-and the spout will stop working** In case that the keyboard were off, but the spout is delivering water, press the key 1 (Switch on -Switch off) the first touch will restart the keyboard which becomes lit, the second touch will stop the delivery. N.B. To switch on the spout soon after its switching off, you must await about 10 seconds, that is the time which is necessary, so that the valves box resets the parameters on the delivery position at standard temperature.
- 2 - Key 2 Flow increase** touching the key the water flow increases, it changes from the standard 10 Lt. per minute, to about 16 Lt per minute, with a further touch you can reach the maximum flow rate of about 20 liters per minute.
- 3 - Key 3 Flow decrease** touching the key the flow rate changes from the standard 10 Lt/ min to about 5 Lt/ min.
- 4 - Key 4 Temperature increase** touching the key the standard water temperature changes from 38° C and green front led colour to the temperature of about 40° with a red front led colour, with a further touch you can reach the maximum temperature of about 51 ° C with the red front led colours. Every beep means that the temperature is increasing by about 2°C.
- 5 - Key 5 Temperature decrease** touching the key the standard water temperature of 38° c and the green front led colour changes to a temperature of about 20° C with blue front led colour, with a further touch you can reach the minimum temperature with the blue front led colours, every beep means that the temperature is decreasing by about 2°C
- 6 - Key 6 It switches the water flow into waterfall mode**, when the spout gets started, it has already been set on the waterfall mode, this key serves to switch the water from the shower mode (possibly preset), to the waterfall mode, on switching the spout off, it returns to the waterfall mode automatically.
- 7 - Key 7 It switches the water flow from the standard waterfall mode on switching on to the shower mode**, if after using the shower, the spout is switched off, it returns to the waterfall mode automatically.

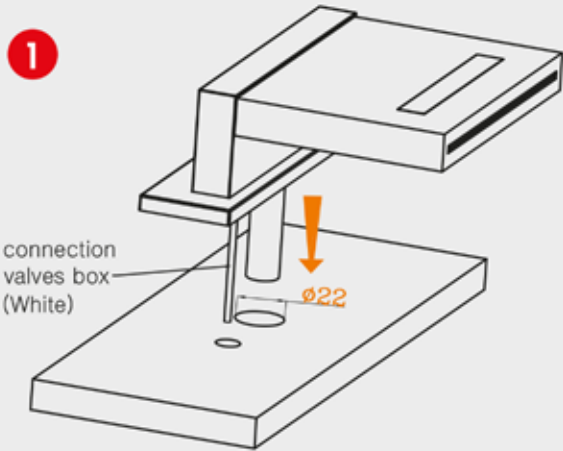
**N.B.** On switching on the keyboard remains lit about 10 seconds. On switching off the spout will go on delivering water, on this condition the keyboard can be touched without modifying the parameters which have been previously set on the stand-by mode. To quit the stand-by mode press the Key 1 and the keyboard will become lit, enabling the user to change the parameters according to his/her wishes using the proper keys.

**WiFi remote control "transmitter"**. To remote control the spout the remote control which is supplied optionally can be used. On the remote control there are the same keys of the spout keyboard. The remote control is provided with rechargeable battery and LCD screen showing the delivery temperature and battery charge level. The device is waterproof, therefore it can be used also during either the bath or the shower.

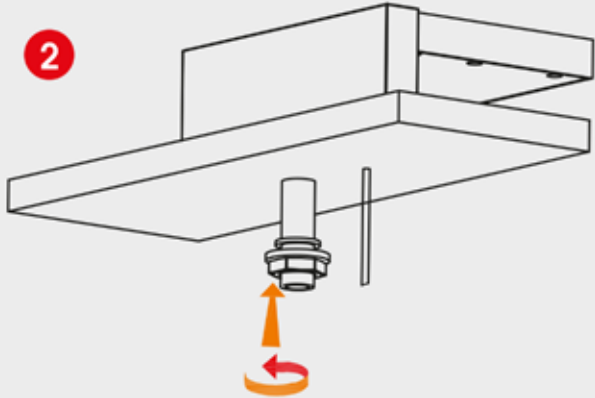


# INSTALLATION DIAGRAM

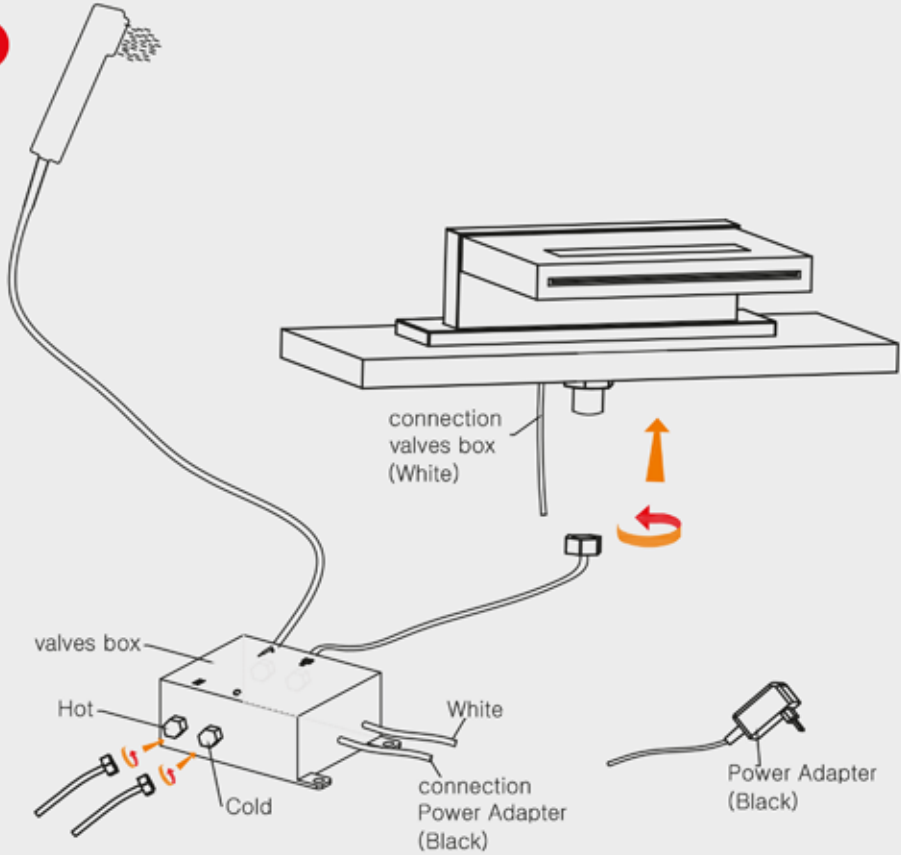
1



2



3



PARTICULAR REGARDING THE VALVES BOX WITH THERMOREGULATION SWITCH

